

POC-227G

Point of Care Terminal with
22" WSXGA TFT LCD

NEW



Features

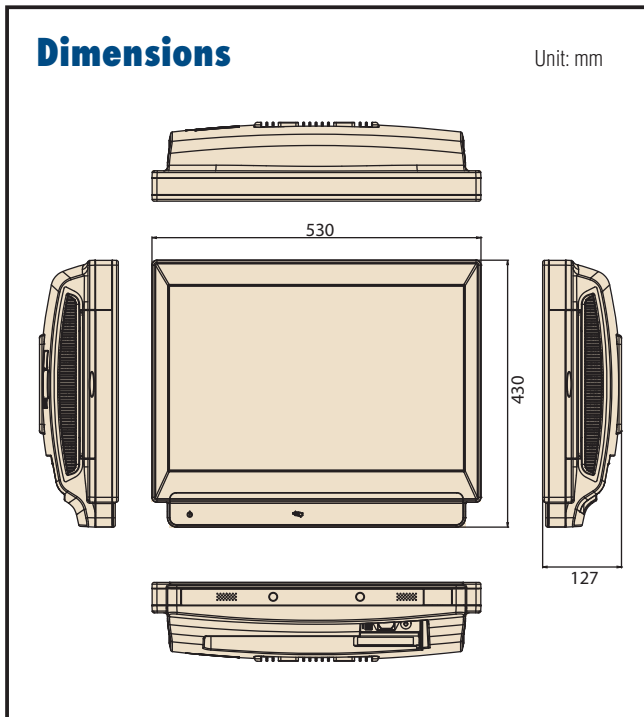
- Intel® Core™2 Duo (low-power) processor
- Fanless design
- P-MVA 22 inch WSXGA+ wide LCD display
- Built-in SAW touchscreen for high transmission quality
- Spill and dust resistant (IPx1) enclosure
- UL60601-1/EN60601-1, CE & FCC Class B certified
- Built-in smart card reader can verify clinician's identification
- Optional DICOM pre-set module
- Optional wireless communications: IEEE 802.11b/g/n WLAN module
- Optional bluetooth, RFID



Specifications

Computing System	Chipset	Intel® GS45 Express Chipset with 82801IUX I/O Controller Hub (ICH9M-SFF)
	CPU	Intel® Core™2 Duo processor SL9400 (6M Cache, 1.86 GHz, 1066 MHz FSB) uFCBGA8
	Front Side Bus	1066 MHz
	Memory	204-pin, DDR3, SODIMM slots x 2 (max. 8 GB), Unbuffered Non ECC*
Graphics	Controller	Graphics Controller Intel GS45 integrated
Expansion Slot	PCI	1 x mini PCI
	PCIe	1 x PCIe x4 slot
Storage	HDD	1 x 2.5" SATA (Quick swap)
	Optical Device	1x DVD-RW SATA
Identification		1x Smart card reader (USB Interface)
Ethernet	Interface	2 x Gigabit Ethernet (isolated) interface (RJ-45)
I/O Ports		3 x RS-232 (isolated) and 1 x RS232/422/485 (isolated) serial port; 5 x USB 2.0 ports; 1 x IEEE 1394a port 1 x PS/2 mouse and K/B; 1 x DVI-I VGA port; 1 x Mic-in, 1x Line-out; 1 x service port for DICOM option only (for trained FAE only)
Speakers		2 x 1 W speakers
Display	Display Type	22" P-MVA Mode, Normally Black
	Max. Resolution	1680 x 1050
	Max. Colors	16.7M colors (6-bits + HiFRC)
	Dot Size (mm)	0.282 x 0.282
	Viewing Angle	178°/178°
	Luminance	300 cd/m ²
	Contrast Ratio	2000 : 1
Power Supply	LCD MTBF	50,000 hours
	AC Model	Internal power supply
	Input Voltage	100 ~ 240 V _{ac} , 4/2 A max. @ 50 ~ 60 Hz
Touchscreen	Output Voltage	25 A, +12 V (300 Watts Max)
	Type	SAW TS: Surface Wave
	Resolution	Corresponding to touch pressure; continuous, 4096 x 4096, plus 255 levels
	Light Transmission	92%
Optional Touchscreen	Controller	RS-232 interface (uses COM 5)
	Durability	50 million touches
	Type	Analog Resistive
	Resolution	Continuous
Optional	Light Transmission	80%
	Controller	RS-232 interface (uses COM 6)
	Durability	36 million touches
	DICOM Module	Bluetooth module, RFID Module, WLAN module DICOM pre-set Cool 9300° K color Temperature Neutral 6500° K color Temperature Warm 5400° K color Temperature
Certifications		CE, FCC Class B approved, UL60601-1, EN60601-1 approved
Environment	Temperature	0 ~ 40° C (32 ~ 104° F) (Operating)
	Humidity	10 ~ 95% @ 40° C (non-condensing)
	Shock Resistance	30G peak acceleration (11ms duration)
	Water/dust Resistance	IPX1 compliant
Physical Characteristics	Dimensions (W x H x D)	530 x 430 x 127 mm
	Weight	12 kg
Platform & Utilities		XP, Windows 7, SUSI

* Due to standard PC architecture, a certain amount of memory is reserved for system usage and therefore the actual memory size is less than the stated amount.



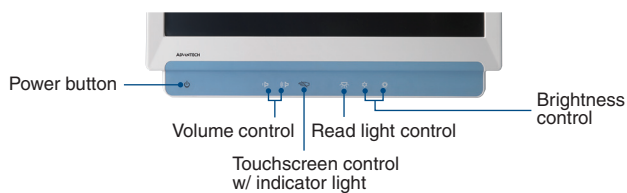
Ordering Information

Part Number	CPU	RAM	Touch Panel	HDD	DICOM
POC-227G-D1A-ATE	SL9400 C2D 1.86G	4 GB	SAW TS	-	-

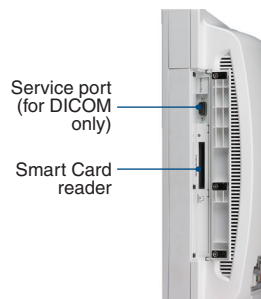
Optional Modules

Part Number	Description
968EMW0026	Wireless 802.11n/b/g Mini PCI
9666022705E	RFID USB module
9666022706E	Bluetooth Module USB

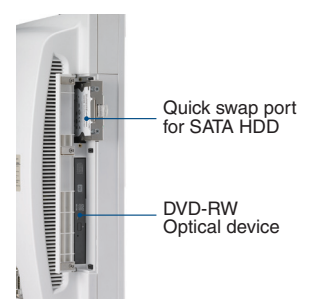
Function Keys



Right Side I/O



Left Side I/O



I/O Ports

