

POC-227

Point of Care Terminal with
22" WSXGA TFT LCD

NEW



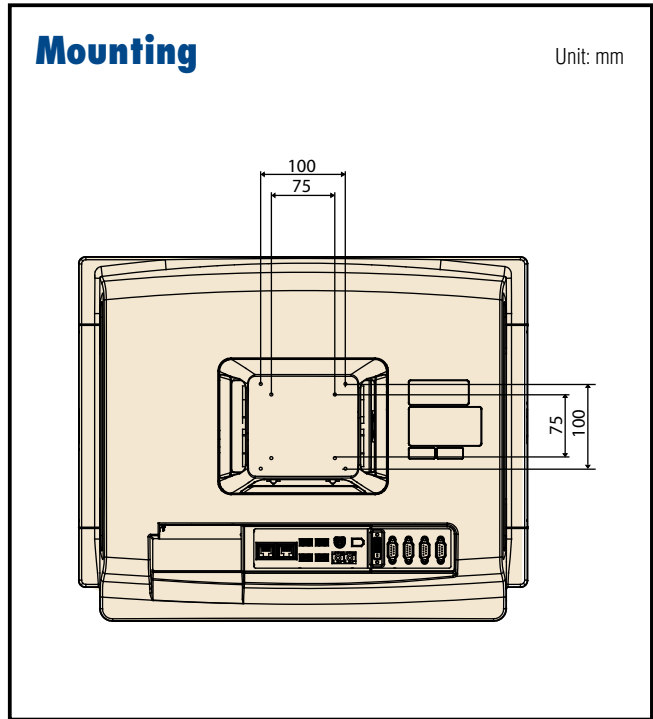
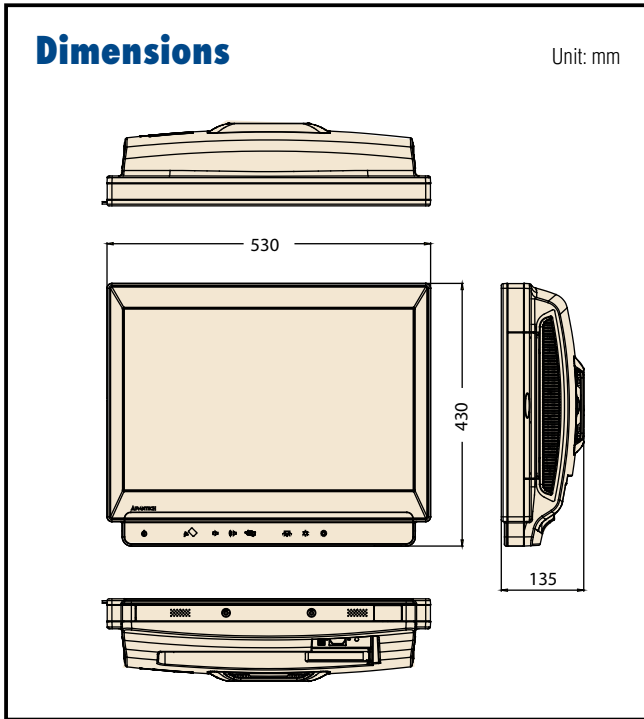
Features

- P-MVA 22 inch WSXGA+ wide LCD display
- Built-in SAW touchscreen for high transmission quality
- Spill and dust resistant (IPx1) enclosure
- UL60601-1/EN60601-1, CE & FCC Class B certified
- Built-in smart card reader helping verify clinician identification
- Optional MXM graphics card enhancing 3D performance 150%
- Supports Intel® AMT 4.0 Remote computer diagnosis and repair
- Optional wireless communications: IEEE 802.11b/g/n WLAN module
- Optional bluetooth, RFID, ambient light sensor, USB DOM and Blu-ray RW



Specifications

Computing System	Chipset	GM45/ICH9M-E Chipset
	CPU	Intel® T9400 Core™2 Duo processor, 2.53 GHz, 6M L2 (478-Pin uFCPGA) Intel® P8400 Core™2 Duo processor, 2.26 GHz, 3M L2 (478-Pin uFCPGA)-Optional Intel® Celeron® M 575 2.0 GHz 1M L2 (478-pin uFCPGA)-Optional
	Front Side Bus	1066 MHz/667 MHz (Celeron)
	Memory	Up to 8 GB DDR3 1066 MHz SDRAM
Graphics	Controller	Intel GM45 with Extreme Graphics technology
Expansion Slot	PCI	1 x mini PCI
	PCIe	1 x PCIe x4 slot
Storage	HDD	1 x 2.5" SATA
	Optical Device	1 x DVD-RW SATA; Blu-ray RW option
Identification		1 x Smart card reader
Ethernet	Interface	2 x Gigabit Ethernet (isolated) interface (RJ-45)
I/O Ports		3 x RS-232 (isolated) and 1 x RS232/422/485 (isolated) serial ports; 5 x USB 2.0 ports IEEE 1394a port; 1 x PS/2 mouse and K/B; 1 x DVI-I port; 1 x Mic-in, 1x headphone Line-out
Speakers		2 x 1 W speakers
Display	Display Size	22 inches wide (16:10)
	Display Mode	P-MVA, normally black
	Max. Resolution	1680 x 1050 (WSXGA+)
	Max. Colors	16.7M colors (6-bits + HiFRC)
	Dot Size (mm)	0.282 x 0.282
	Viewing Angle	178°/178°
	Luminance	300 cd/m ²
Contrast Ratio	2000:1	
Power Supply	AC Model	Internal ATX power supply
	Input Voltage	100/240 V _{AC} , 2/1 A max. @ 50/60 Hz
	Output Voltage	+5 V @ 14 A, +12 V @ 10 A, +3.3 V @ 12 A, +5 Vsb @ 1.5 A, -12 V @ 1 A (150 watts)
Touchscreen	Type	SAW TS: Surface Wave
	Resolution	Corresponding to touch pressure; continuous, 4096 x 4096, plus 255 levels
	Light Transmission	92%
	Controller	RS-232 interface (use COM 6)
	Durability	50 million touches
Optional Touchscreen	Type	Analog Resistive
	Resolution	Continuous
	Light Transmission	80%
	Controller	RS-232 interface (use COM 6)
	Durability	36 million touches
MXM-II Graphic card (for POC-227M only)		Support Microsoft® DirectX® 10.0 ,OpenGL 2.0 64-bit 2-channel DDR2/GDDR3 memory interface ATI Avivo HD Video and Display architecture
Certifications		CE, FCC Class B certified UL60601-1, EN60601-1 certified



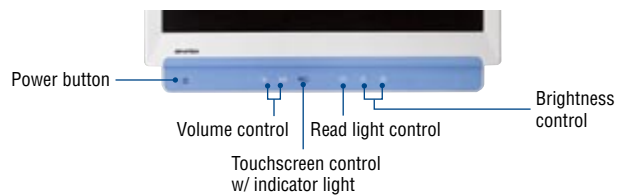
Environment	Operating Temperature	0 ~ 40° C (32 ~ 104° F) (Operating)
	Humidity	10 ~ 95% @ 40° C (non-condensing)
	Shock Resistance	30G peak acceleration (11ms duration)
	Ingress Protection Rate	IPx1 water resistant enclosure with additional IP65 dust-tight front panel
Physical Characteristics	Dimensions (W x H x D)	530 x 430 x 135 mm
	Gross Weight	11.5 kg

Ordering Information

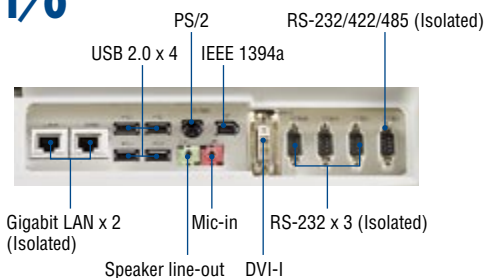
Part Number	CPU	RAM	Touch Panel	MXM
POC-227-D1A-ATE	T9400 C2U 2.53G	4 GB	SAW TS	-
POC-227M-D1A-ATE	T9400 C2U 2.53G	4 GB	SAW TS	Yes

Optional Modules

Part Number	Description
968EMW0026	Wireless 802.11n/b/g
9666022705E	RFID USB module
9666022706E	Bluetooth Module USB
9666022711E	Ambient Light sensor
9666022707E	Disk on module 1GB
9666022708E	Disk on module 2GB
9666022709E	Disk on module 4GB
9666022710E	Disk on module 8GB



Rear I/O



Side I/O POC-227 Bezel key

